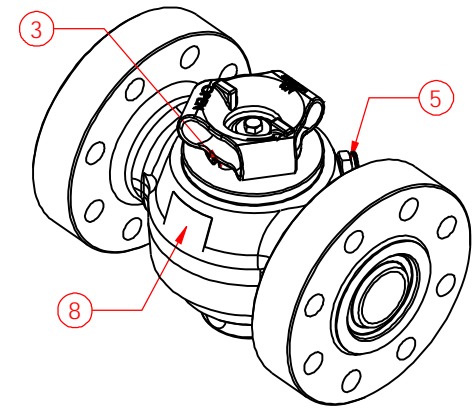
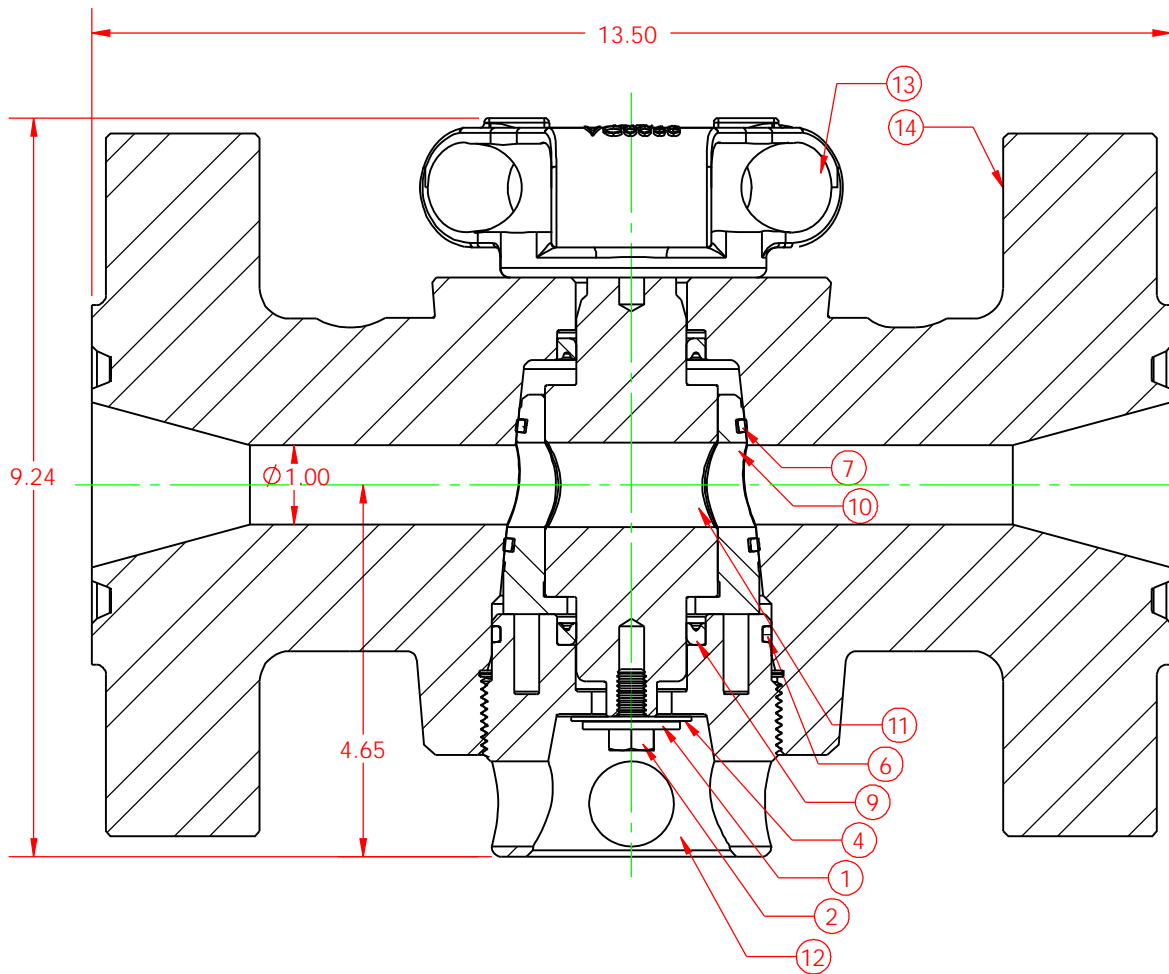


ITEM NO.	QTY.	PART NUMBER	DESCRIPTION
1	2	HC0002	FLAT WASHER, 3/8" STD
2	2	HC0004	HEX HD, 3/8"-16 x 0.75"
3	1	HC0005	SOC HD, 3/8"-16 x 0.50"
4	2	HC0027	FLAT WASHER, 3/8" OVERSIZED
5	1	HC0226	GREASE FITTING, 3/4" SAFETAP H2S GBH
6	1	OC0005	O-RING, 1" ADJ NUT STD
7	2	OC0006	O-RING, 1" INSERT STD
8	1	VC0013	NAME TAG-VALVE (MSI/DIXIE)
9	2	VC0016	PLUG SEAL, 1" STD (BUNA/BRASS)
10	1	VC0036	INSERT SET, 1" STD
11	1	VC0037	PLUG, 1" STD
12	1	VC0038	ADJUSTING NUT, 1" H2S
13	1	VC0063	HANDLE ADAPTER, 1" PLUG VALVE
14	1	VC0666	VLV BODY, 1" x 2 1/16 15M STD A1



A2

THIS DRAWING IS THE PROPERTY OF DIXIE IRON WORKS, LTD. THE BORROWER AGREES BY RECEIVING THE DRAWING TO RETURN IT UPON REQUEST AND TO NEITHER REPRODUCE COPY OR FURNISH INFORMATION FROM IT TO OTHERS WITHOUT EXPRESSED WRITTEN PERMISSION OF DIXIE IRON WORKS, LTD. ALL ARTICLES MANUFACTURED IN ACCORDANCE WITH THIS DRAWING SHALL BE CONSIDERED DESIGNS OF DIXIE IRON WORKS, LTD. AND MAY NOT BE USED OR SOLD WITHOUT DIXIE IRON WORKS, LTD. WRITTEN PERMISSION.

NOTES
 1. BREAK ALL EDGES TO 0.0063 DIA ± 45° OR 90° UNLESS OTHERWISE SPECIFIED
 2. ALL MACHINED CORNER RADIUS TO BE R0.031
 3. ALL DIMENSIONS ARE IN INCHES UNLESS OTHERWISE STATED
 4. ALL DIMENSIONS TO ALL ACROSS HEADS
 5. ALL DIMENSIONS TO BE CONCENTRIC WITHIN 0.005
 6. ALL DIMENSIONS TO BE CONCENTRIC WITHIN 0.005
 7. ALL DIMENSIONS TO BE CONCENTRIC WITHIN 0.005
 8. ALL DIMENSIONS TO BE CONCENTRIC WITHIN 0.005
 9. ALL DIMENSIONS TO BE CONCENTRIC WITHIN 0.005
 10. ALL DIMENSIONS TO BE CONCENTRIC WITHIN 0.005
 11. ALL DIMENSIONS TO BE CONCENTRIC WITHIN 0.005
 12. ALL DIMENSIONS TO BE CONCENTRIC WITHIN 0.005
 13. ALL DIMENSIONS TO BE CONCENTRIC WITHIN 0.005
 14. ALL DIMENSIONS TO BE CONCENTRIC WITHIN 0.005

THIRD ANGLE PROJECTION

UNSPECIFIED TOLERANCES
 FRACTIONS ±1/64
 DECIMALS ±0.015
 ANGLES ±1/2°

DATUM INDICATING SYMBOL

POSITION

REVISION
 0

CHANGE MADE
 CHANGES INCLUDE
 1) VALVE BODY WAS H2S, NOW STD.
 2) UPDATED THE SHEET FORMAT.
 09/04/2006 HP

ECN NUMBER
 0

DESCRIPTION
 VALVE,
 1" x 2 1/16 15M STD

MATERIAL/HEAT TREAT/WELD PROCEDURE
 STANDARD SERVICE
 15,000 PSI WORKING PRESSURE

WEIGHT
 121 LBS.

SHEET
 SHEET 1 OF 1

DRAWN BY
 WJT

DATE
 06/27/03

PART NUMBER
 VA0014

REV
 0

MSI
 300 West Main Street
 Alice, TX 78332
 www.dixieiron.com
 800.242.0059
 MSI is a division of Dixie Iron Works, Ltd.