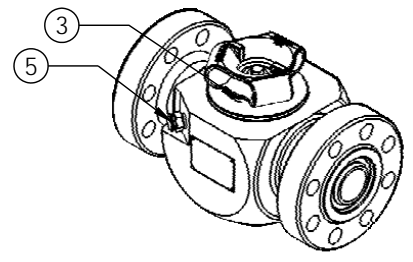
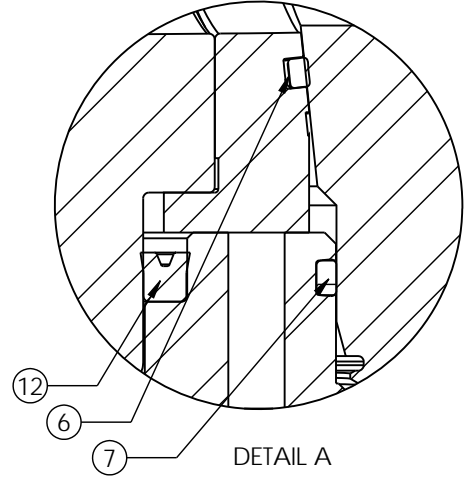
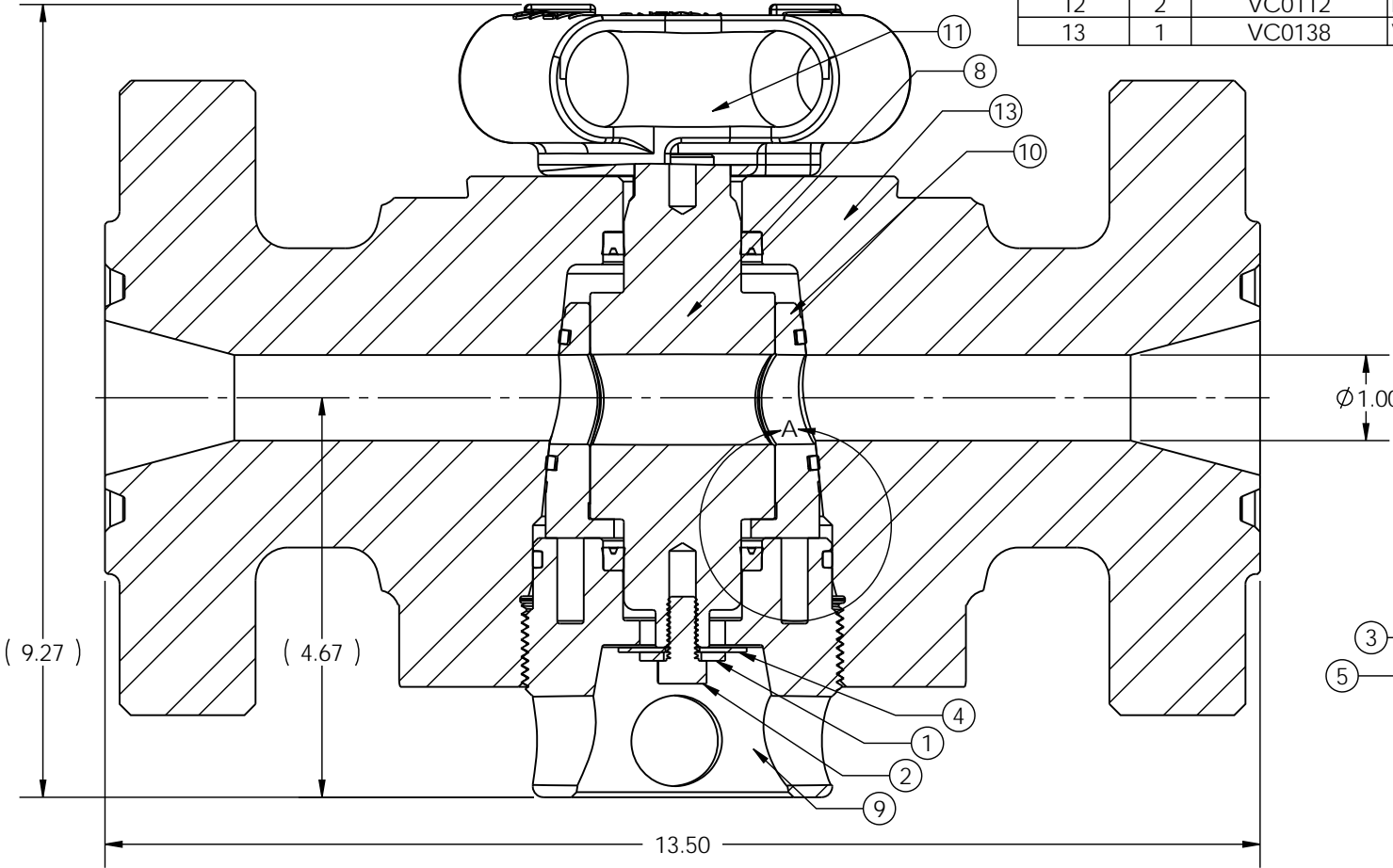



ITEM NO.	QTY.	PART NUMBER	DESCRIPTION
1	2	HC0002	FLAT WASHER, 3/8" STD
2	2	HC0004	HEX HD, 3/8"-16 x 0.75"
3	1	HC0005	SOC HD, 3/8"-16 x 0.50"
4	2	HC0027	FLAT WASHER, 3/8" OVERSIZED (REGULAR)
5	1	HC0226	GREASE FITTING, 3/4" SAFETAP H2S GBH
6	2	OC0013	O-RING, 1" INSERT H2S (HNBR)
7	1	OC0017	O-RING, 1" ADJ NUT H2S (HNBR)
8	1	VC0030	PLUG, 1" H2S
9	1	VC0038	ADJUSTING NUT, 1" H2S
10	1	VC0048	INSERT SET, 1" H2S
11	1	VC0063	HANDLE ADAPTER, 1"
12	2	VC0112	PLUG SEAL, 1" H2S (HNBR/BRASS)
13	1	VC0138	VLV BODY, 1" x 1 13/16 10M H2S



<p>THIS DRAWING IS THE PROPERTY OF DIXIE IRON WORKS, LTD. THE BORROWER AGREES BY RECEIVING THE DRAWING TO RETURN IT UPON REQUEST AND TO NEITHER REPRODUCE COPY OR FURNISH INFORMATION FROM IT TO OTHERS WITHOUT EXPRESSED WRITTEN PERMISSION OF DIXIE IRON WORKS, LTD. ALL ARTICLES MANUFACTURED IN ACCORDANCE WITH THIS DRAWING SHALL BE CONSIDERED DESIGNS OF DIXIE IRON WORKS, LTD. AND MAY NOT BE USED OR SOLD WITHOUT DIXIE IRON WORKS, LTD. WRITTEN PERMISSION.</p>	CHANGE MADE	ECN NUMBER	DESCRIPTION	 300 West Main Street Alice, TX 78332 www.dlwmisi.com 800.242.0059 <small>MSI is a division of Dixie Iron Works, Ltd.</small>	
			MATERIAL/HEAT TREAT/ WELD PROCEDURE		DRAWN BY
			SOUR SERVICE		RSE
			10,000 PSI WORKING PRESSURE		DATE
		THIRD ANGLE PROJECTION	WEIGHT	SHEET	
			120 lbs.	SHEET 1 OF 1	
			PART NUMBER	REV	
			VAA0119	0	