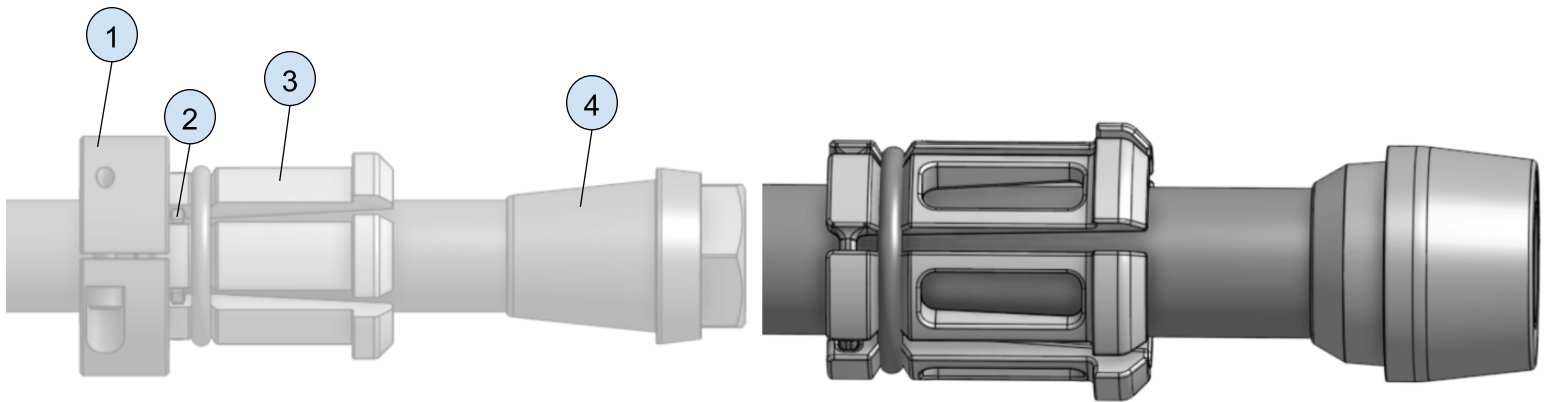




FEC0540 TOOL, VALVE SEAT REMOVER, SMALL

FEC0540 Valve Seat Remover, used to remove valve seats in small bore fluid ends, was recently redesigned. The retainer (1) and divider (2) were removed along with associated hardware. The mandrel (4) and fingers (3) were redesigned for additive manufacturing. These changes reduce manufacturing complexity and costs without compromising functionality or strength.



OLD ASSEMBLY

NEW ASSEMBLY

VIDEO DEMONSTRATION:



You may contact MSI at sales@diwmsi.com or engineering@diwmsi.com for additional information.

MSI is a division of Dixie Iron Works, Ltd
300 W. Main St.
Alice, Texas 78332, USA
Phone: 800-242-0059
www.diwmsi.com